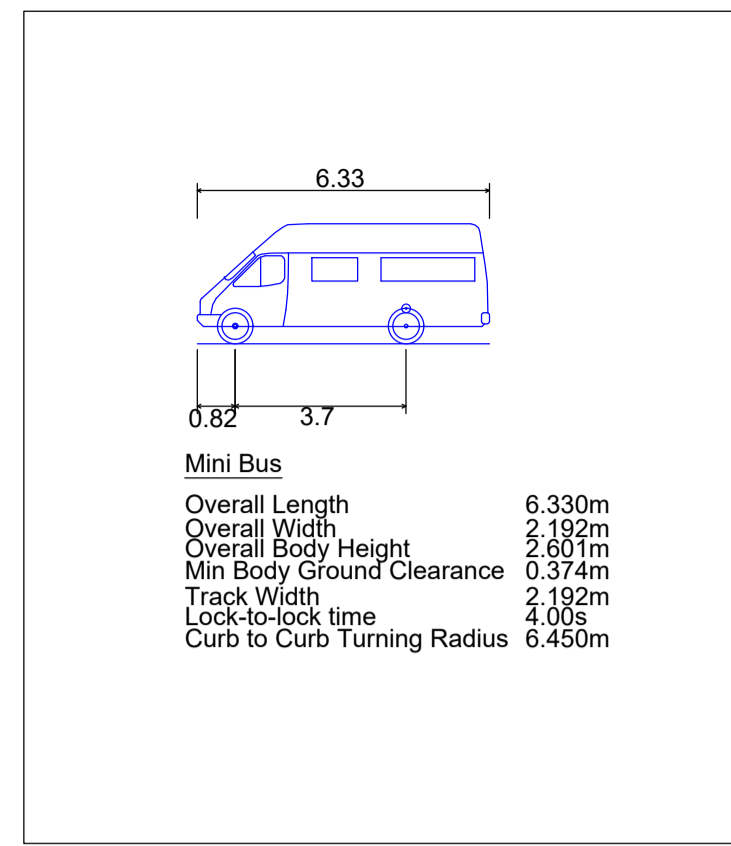
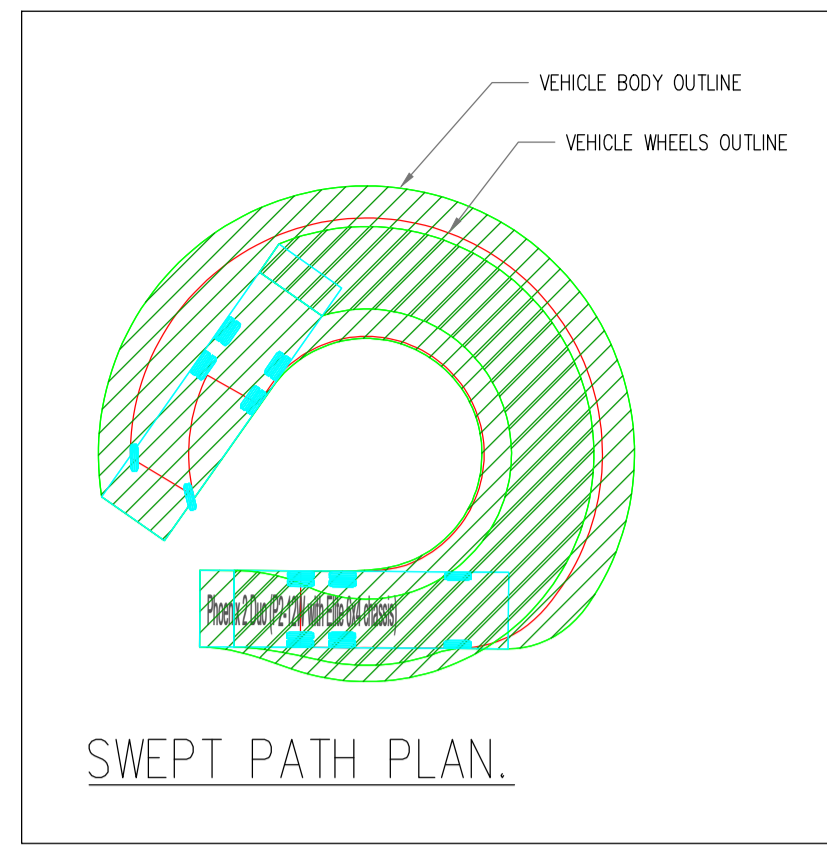




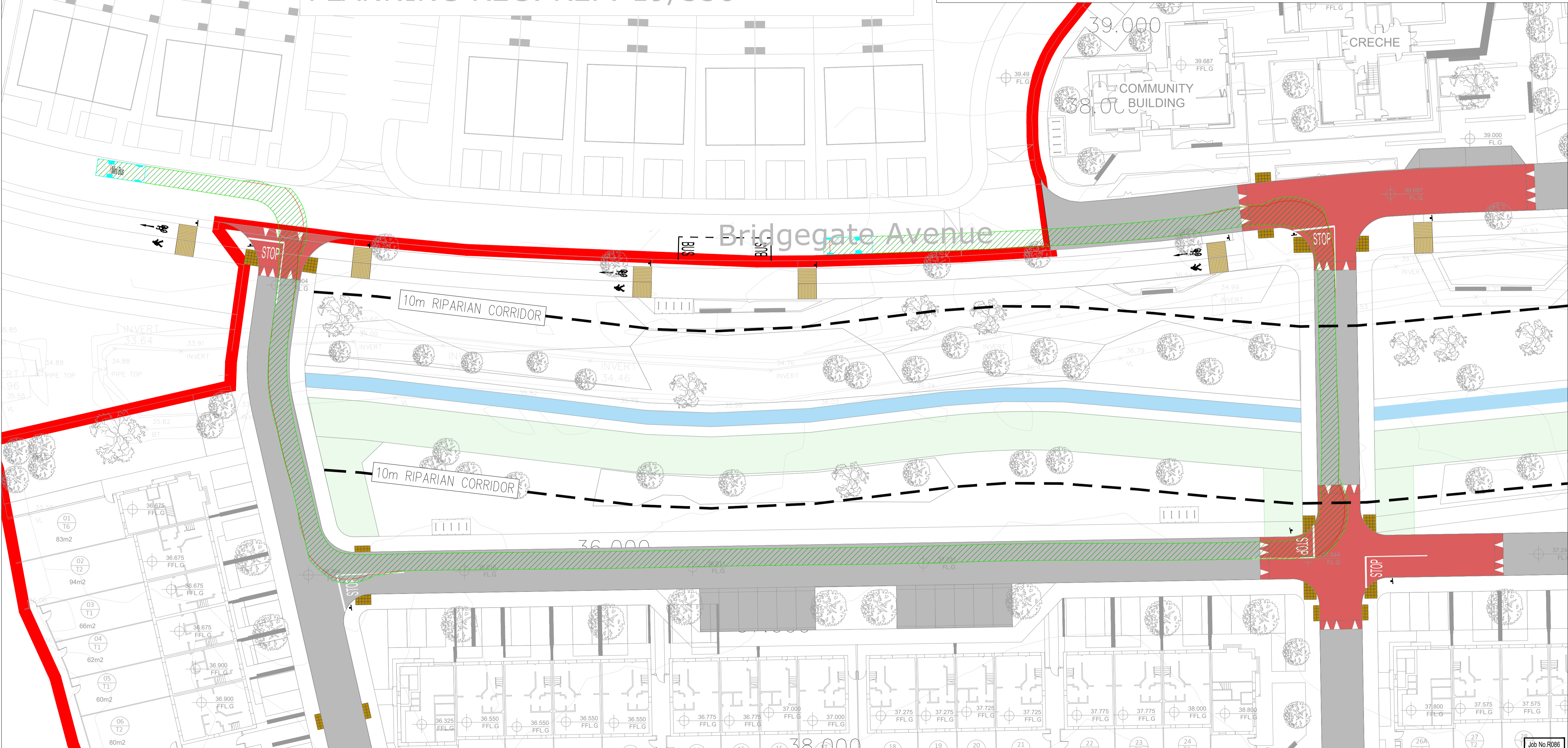
DEVELOPMENT UNDER CONSTRUCTION

PLANNING REG. REF: 19/336



LEGEND:

- PROPOSED ROAD & STREET PARKING
- PROPOSED RAISED TABLES
- PROPOSED REALIGNED STREAM
- PROPOSED OPW STREAM
- MAINTENANCE ACCESS
- PROPOSED SITE BOUNDARY
- SITE OWNERSHIP BOUNDARY



PLANNING DRAWING.
 NOT FOR CONSTRUCTION.
 ALL LEVELS GIVEN ARE
 RELATIVE TO ORDNANCE DATUM.
 THIS DRAWING HAS BEEN ISSUED FOR INFORMATION
 PURPOSES ONLY AND MUST NOT BE USED
 FOR CONSTRUCTION UNDER ANY CIRCUMSTANCES

- NOTES**
- For setting out refer to Architect's drawings.
 - This drawing to be read in conjunction with all other Architectural and Engineering drawings and all other relevant drawings and Specifications.
 - DO NOT SCALE THIS DRAWING. Use figured dimensions only.
 - No part of this document may be reproduced or transmitted in any form or stored in any retrieval system of any nature without the written permission as copyright holder except as agreed for use on the project for which the document was originally issued.
 - Ordnance Survey Ireland Licence Number EN 0074022

Rev. No.	Date	REVISION NOTE	Drn. By	Chkd. By
P1	03/12/2021	ISSUED FOR PLANNING STAGE 3	JS	GF

Client	THE ARDEE PARTNERSHIP
Project	BRIDGEGATE SHD, ARDEE, CO. LOUTH
Title	SWEEP PATH ANALYSIS MINI BUS
Dwg. No.	ARDEE-CSC-00-XX-DR-C-1026
Date	JULY 2021
Drn. By	JS
Chkd. By	GF
Apprv. By	NB
Scale	1:250 @ A1
Revision	P1

CS Consulting Group
 DUBLIN | LONDON | LIMERICK

Head Office
 19-22 Dame Street, Dublin 2.
 T: +353 (0)1 5480863 F: +353 (0)1 9011355
 e: info@csconsulting.ie
 w: www.csconsulting.ie

Quality
 Environment I.S. EN ISO 9001:2008
 Energy I.S. EN ISO 14001:2004
 Health & Safety OHSAS 18001:2007

Job No. R086